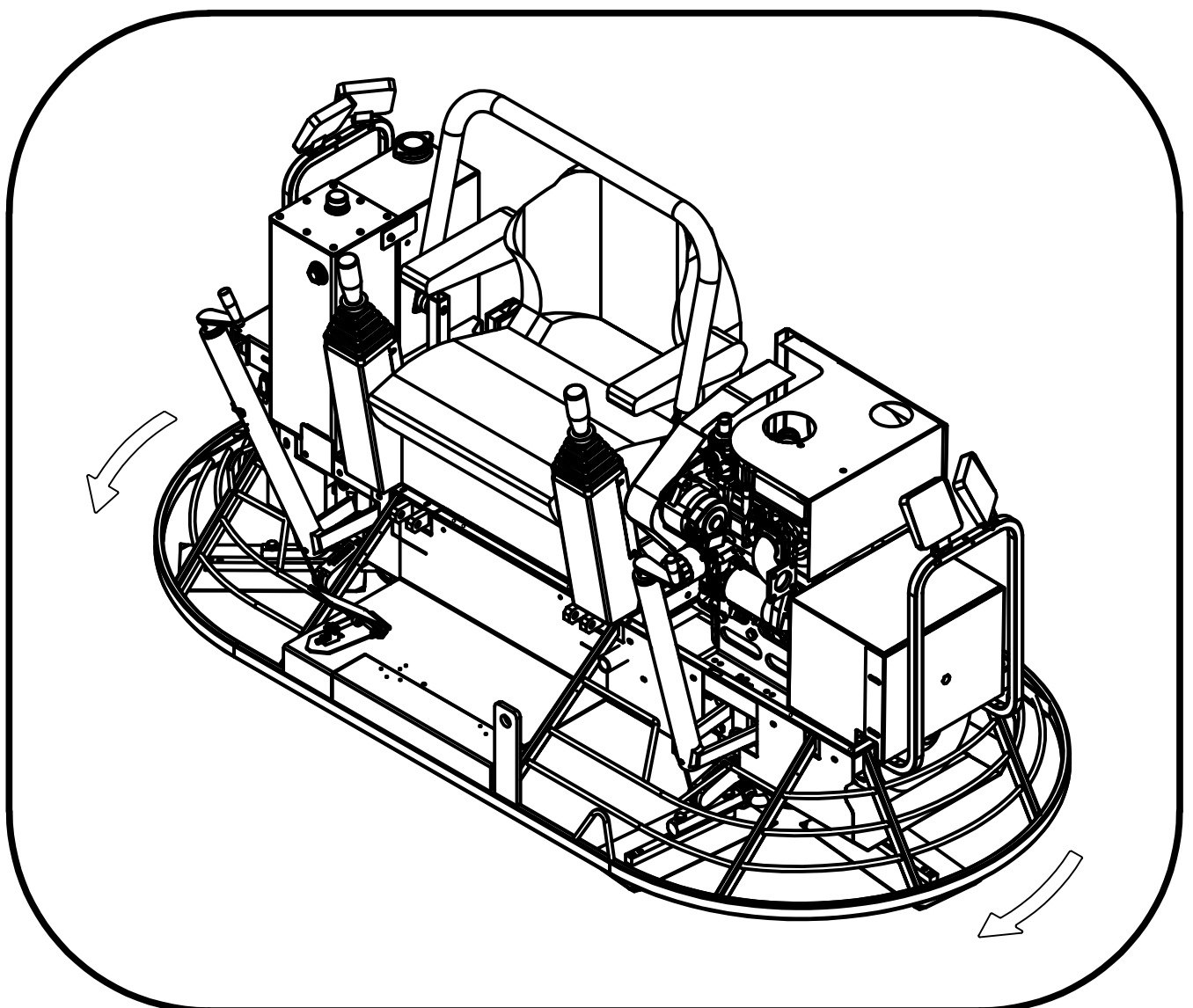


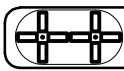
BARIKELL

SPARE PART LIST MANUAL *MANUALE ELENCO PARTI DI RICAMBIO*

RIDE ON TROWEL MK8-90 HCS DIESEL KUBOTA 25HP
FRATTAZZATRICE MK8-90 HCS DIESEL KUBOTA 25HP

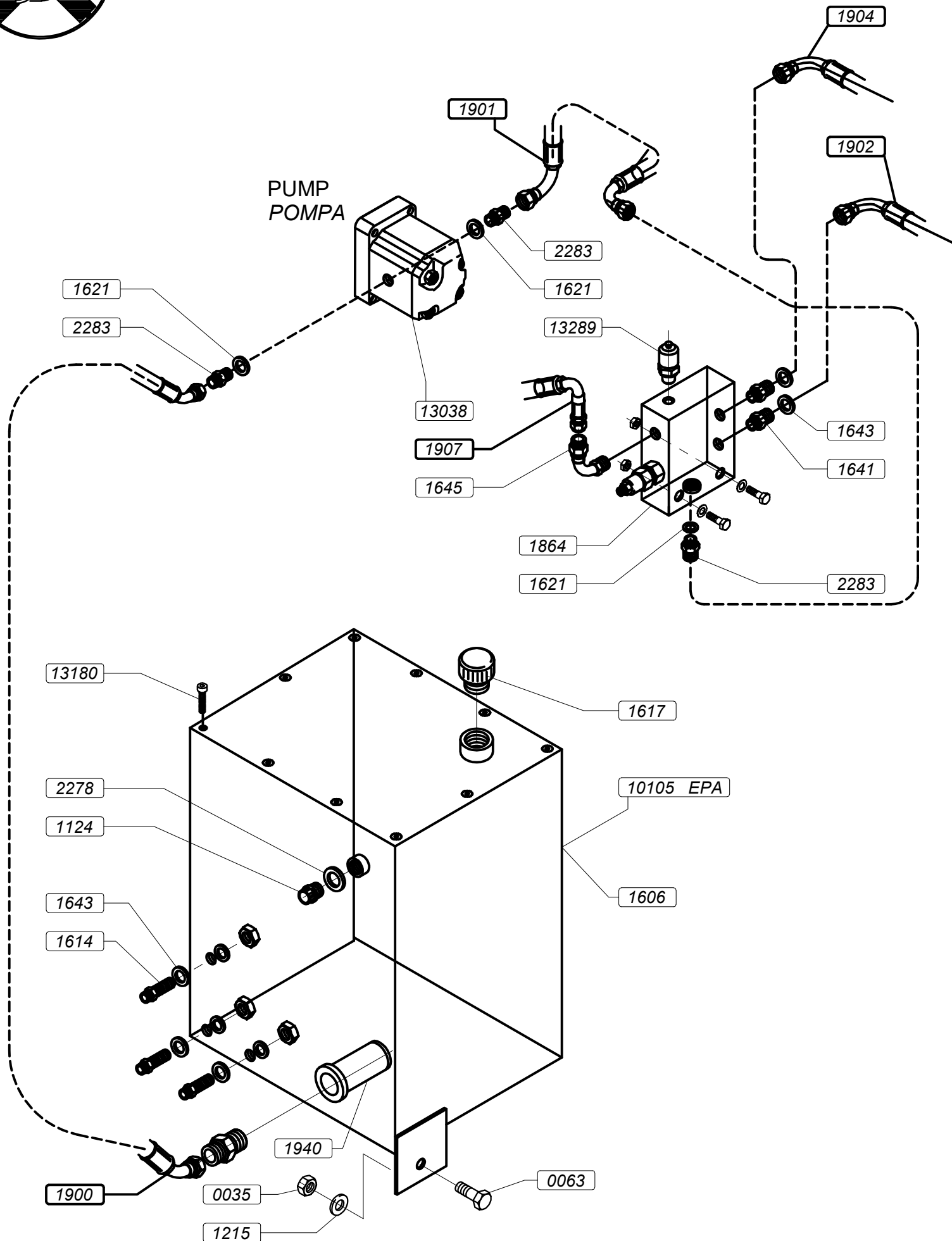


COD.	DESCRIZIONE (I)	DESCRIPTION (GB)
0006	DADO M8 UNI 5588 Z.B.	NUT M8 UNI 5588 ZINC PLATED
0008	VITE TE 6x16 5739 Z.B.	SCREW HEX HEAD 6x16 5739 ZINC PLATED
0016	VITE AUTOFIL.4,8X16 UNI 6950	SELF-TAPPING SCREW 4,8X16 UNI 6950
0019	BATTERIA 45AH - 54534 (+ Dx)	BATTERY 45AH - 54534 (+ Dx)
0027	VITE TCCE 5x10 5931 Z.B.	SCREW 5x10 5931 ZINC PLATED
0047	RONDELLA PIANA 6 - Z.B. 6592	WASHER 6 - G.W. 6592
0050	DADO BLOKM8 DIN 985 Z.B.	SELF-LOCKING NUT M8 DIN 985 ZINC PLATED
0104	DADO BLOKM6 -DIN 985 Z.B.	SELF-LOCKING NUT M6 -DIN 985 ZINC PLATED
0204	CASSETTA PORTA ATTREZZI	TOOL BOX
0337	VITE TE 8x40 5737 Z.B.	SCREW HEX HEAD 8x40 5737 ZINC PLATED
0341	CAVO POSITIVO X DOPPIE L=2000	BATTERY CABLE POSITIVE L=2000
0383	CAVO NEGAT.C/MORS.BAT.27160	NEGATIVE CABLE WITH CLAMP BATTERY 27160
0463	COPERCHIO BATTERIA IN PLASTICA	BATTERY COVER
0464	SCATOLA PORTABATT.OL-90/120 MK8-90/120	BATTERY BOX OL90/120 MK8-90
0468	RONDELLA 6x18X1,5 Z.B.	WASHER 6x18X1,5 ZINC PLATED
0471	VITE TE 6x65 5737 Z.B.	SCREW HEX HEAD 6x65 5737 ZINC PLATED
0592	PEDALE ACCELERATORE RIF.30511	ACCELERATOR PEDAL RIF.30511
0593	FILO ACCELERATORE PER PEDALE ***	ACCELERATOR WIRE FOR PEDAL
0598	FARO LED	LED HEADLIGHT
0610	VITE TE 6x40 UNI 5737 Z.B.	SCREW HEX HEAD 6x40 UNI 5737 G.W.
0724	RONDELLA 8x24 - ZINCATA BIANCA	WASHER 8x24 - ZINC PLATED
0791	VITE TE 8x45 UNI 5737 Z.B.	SCREW HEX HEAD 8x45 UNI 5737 ZINC PLATED
0968	MORSETTO "+"PER BATTERIA 27150	CLAMP "+" FOR BATTERY 27150
0969	MORSETTO "-" PER BATTERIA 27160	CLAMP "-" FOR BATTERY 27160
10144	CARTER PROTEZIONE FRIZIONE	CLUTCH GUARD
10175	SEDILE SOLO PER MERCATO U.S.A.	SEAT ONLY FOR U.S.A. MARKET
10179	DISTANZIALE IN ALLUM. 30X30 D.10	ALUMINUM SPACER 30X30 D.10
1246	SEDILE X HCS PS48	SEAT FOR HCS PS48
13064	VITE TCCE 8x20 UNI 7984 Z.B.TESTA RIBAS	LOW HEAD CAP SCREW 8x20 UNI 7984 ZINC PLATED
13194	CARTER PROTEZ.PER KUBOTA 25HP HCS	PROTECTION CARTER KUBOTA 25HP HCS
13200	TELAIO PROT.MK8-90	FRAME PROTECTION MK8-90
1342	CARTER PROTEZ.PEDALE ACCEL.	PROTECTION FOR ACCELERATOR PEDAL
1421	STAFFA PORTAFARO DX	RIGHT HEADLIGHT SUPPORT
1422	STAFFA PORTAFARO SX	LEFT HEADLIGHT SUPPORT
1474	GRUPPO ACCELERATORE	ACCELERATOR SET
1595	PEDANA AP.PIE.MK8-90HCS C/PED.	FOOT BOARD MK8-90HCS
1946	CARTER PROTEZ.SEDILE MK8-90HCS	SEAT PROTECTION CARTER MK8-90HCS



MK8-90 HCS KUBOTA 25HP

TABLE
TAVOLA **B**

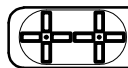


COD.	DESCRIZIONE (I)	DESCRIPTION (GB)
0035	DADO BLOKM10 -985 - Z.B.	SELF-LOCKING NUT M10 -985 ZINC PLATED
0063	VITE TE 10x50 -5737 - Z.B.	SCREW TE 10x50 -5737 ZINC PLATED
1124	INDICAT.LIV.OLIO 3/4" VETRO	LEVEL INDICATOR OIL 3/4" GLASS
1215	RONDELLA PIANA 10x30 Z.B.	WASHER 10x30 ZINC PLATED
1606	SERBATOIO OLIO C/COPERCHIO HCS	OIL TANK WITH COVER HCS
1614	NIPLES PASSAPARETE GAS M+M 1/4 RIF NP1/4	NIPLES PASSAPARETE GAS M+M 1/4 RIF NP1/4
1617	TAPPO 1" MAN. C/DOPPIO SFIATO	PLUG 1" WITH DOUBLE DRAIN
1621	RONDELLA RAME 17X22X1,5	WASHER COPPER 17X22X1,5
1641	NIPLES 1/4"	NIPLES 1/4"
1643	RONDELLA RAME 13,5X19X1,5 RIF. RR1/4	WASHER COPPER 13,5X19X1,5
1645	RACCORDO A 90 GAS M/M 1/4"	CONNECTION 90 GAS M/M 1/4"
1864	VALVOLA CON DIFFUSORE VLP40	VALVE VLP40
1901	TUBO L=700 SAE 100 R7 D.3/8" RAC. F.90 + RAC. F.90 3/8"	PIPE L=700 SAE 100 R7 D.3/8" CONN. F.90 + FITTING F.90 3/8"
1902	TUBO L=750 SAE 100 R7 D.1/4"	PIPE L=750 SAE 100 R7 D.1/4"
1904	TUBO L=600 SAE 100 R7 D.1/4"	PIPE L=600 SAE 100 R7 D.1/4"
1907	TUBO L=470 SAE 100 R7 D.1/4"	PIPE L=470 SAE 100 R7 D.1/4"
1940	FILTRO OLIO FFIOA 20/6 ATTACCO 1/2	OIL FILTER FFIOA 20/6 FITTING 1/2
2278	RONDELLA RAME 3/4" (27x33x1,5)	WASHER COPPER 3/4" (27x33x1,5)
2283	NIPLES M-M 3/8"	NIPLES M-M 3/8"
10105	SERBATOIO OLIO A NORMA CARB-EPA	OIL TANK WITH CARB-EPA
13038	POMPA PER MOTORE KUBOTA	PUMP FOR KUBOTA
13289	MINI PRESA DI PROVA PRESSIONE 1/4 GAS-	CHECKING PRESSURE SOCKET

COD.	DESCRIZIONE (I)	DESCRIPTION (GB)
0035	DADO BLOKM10 -985 - Z.B.	SELF-LOCKING NUT M10 -985 GALVANIZED WHITE
0041	VITE TE 14X70 UNI5737 Z.B.10.9	SCREW TE 14X70 UNI5737 10.9
0047	RONDELLA PIANA 6 - Z.B. 6592	WASHER 6 - G.W. 6592
0053	DADO M14 BASSO UNI 5589 Z.B.	NUT M14 UNI 5589 GALVANIZED WHITE
0063	VITE TE 10x50 -5737 - Z.B.	SCREW TE 10x50 5737
0084	VITE TE 10x45 UNI 5737 Z.B.	SCREW HEX HEAD 10x45 UNI 5737 GALVANIZED WHITE
0103	VITE TE 10x16 -5739 - Z.B.	SCREW HEX HEAD 10x16 UNI 5739 GALVANIZED W.
0104	DADO BLOKM6 -DIN 985 Z.B.	SELF-LOCKING NUT M6 -DIN 985 GALVANIZED W.
0117	VITE TE 6x10 5739 Z.B.	SCREW HEX HEAD 6x10 UNI 5739 GALVANIZED W.
0121	DADO BLOKM14 BASSO 7474 Z.B	SELF-LOCKING NUT M14 7474 GALVANIZED WHITE
0468	RONDELLA 6x18X1,5 Z.B.	WASHER 6x18X1,5 GALVANIZED WHITE
0471	VITE TE 6x65 5737 Z.B.	SCREW HEX HEAD 6x65 5737 GALVANIZED WHITE
0714	VITE VSP 14x45 - 5933 Z.B.	SCREW C.F.H. 14x45 - 5933 GALVANIZED WHITE
0790	VITE TE 6x20 5739 Z.B.	SCREW HEX HEAD 6x20 UNI 5737 GALVANIZED WHITE
10055	APPOGGIO PER GANCIO SOLLEVAMENTO HCS	BRACKET FOR LIFTING HOOK HCS
1078	RONDELLA ZIGRIN.D10 ZINC.B.	WASHER D10
1614	NIPLES PASSAPARETE GAS M+M 1/4 RIF NP1/4	NIPLES GAS M+M 1/4 RIF NP1/4
1864	VALVOLA CON DIFFUSORE VLP40	VALVE VLP40
1900	TUBO L=1070 SAE 100 R7 D. 3/8" RAC. F.90 + RAC. F.DRITTO 3/8"	PIPE L=1070 SAE 100 R7 D. 3/8" CONN. F.90 + FITTING F. 3/8"
1901	TUBO L=700 SAE 100 R7 D.3/8" RAC. F.90 + RAC. F.90 3/8"	PIPE L=700 SAE 100 R7 D.3/8" CONN. F.90 + FITTING F.90 3/8"
1902	TUBO L=750 SAE 100 R7 D.1/4"	PIPE L=750 SAE 100 R7 D.1/4"
1903	TUBO L=1100 SAE 100 R7 D.1/4"	PIPE L=1100 SAE 100 R7 D.1/4"
1904	TUBO L=600 SAE 100 R7 D.1/4"	PIPE L=600 SAE 100 R7 D.1/4"
1907	TUBO L=470 SAE 100 R7 D.1/4"	PIPE L=470 SAE 100 R7 D.1/4"
1908	TUBO L=640 SAE 100 R7 D.1/4"	PIPE L=640 SAE 100 R7 D.1/4"
1909	TUBO L=680 SAE 100 R7 D.1/4"	PIPE L=680 SAE 100 R7 D.1/4"
1910	TUBO L=620 SAE 100 R7 D.1/4"	PIPE L=620 SAE 100 R7 D.1/4"
1911	CARTER X JOYSTIK-TELECOM.	CARTER FOR JOYSTIK
1912	COPERCHIO X CARTER JOYSTICK ZINC MONSTER	COVER FOR CARTER JOYSTIK GALVANIZED
1215	RONDELLA PIANA 10x30 Z.B.	WASHER 10x30 GALVANIZED WHITE
1350	CILINDRO AL.50-ST.30-CORSA 23 BOR.1/4"	CYLINDER AL.50-ST.30-STROKE 23 ATT.1/4"
1488	TELECOMANDO SX C/BOTTONE ACQUA	REMOTE CONTROL SX WITH WATER BOTTON
1489	JOYSTICK DX HPCJ0G21KSS2300000	JOYSTICK DX HPCJ0G21KSS2300000
1621	RONDELLA RAME 17X22X1,5	WASHER COPPER 17X22X1,5
1635	TERMIN.SNODO MARCA "SB" JAM 14	TERMIN.ARTICULATION "SB" JAM 14
1636	TERMIN.SNODO MARCA "SB" JAF 14	TERMIN.ARTICULATION "SB" JAF 14
1641	NIPLES 1/4"	NIPLES 1/4"

COD.	DESCRIZIONE (I)	DESCRIPTION (GB)
1643	RONDELLA RAME 13,5X19X1,5	WASHER COPPER 13,5X19X1,5
1645	RACCORDO A 90 GAS M/M 1/4"	CONNECTION 90 GAS M/M 1/4"
1646	BULLONE FORATO GAS 1/4" CH.19	PERFORATED BOLT GAS 1/4" CH.19
1648	VITE TE 10X75 5739 Z.B. TUT.FI	SCREW HEX HEAD 10X75 5739 G.W.
1721	DISTANZIALE D.21,3-14,9 L=23	SPACER D.21,3-14,9 L=23
1799	VITE TE 14X55 UNI 5737 Z.B.	SCREW HEX HEAD 14X55 UNI 5737 G.W.
1926	SUPPORTO CILINDRI CENTRALE Z.B	CENTRAL CYLINDER SUPPORT G.W.
1927	SUPPORTO CILINDRO POSTERIORE	REAR SUPPORT CYLINDER
2283	NIPLES M-M 3/8"	NIPLES M-M 3/8"

COD.	DESCRIZIONE (I)	DESCRIPTION (GB)
0026	CUSCINETTO REGGISPINTA AXK1528	BEARING THRUST AXK1528
0027	VITE TCCE 5x10 5931 Z.B.	SCREW TCCE 5x10 5931 ZINC PLATED
0028	RALLA AS 1528	BOLSTER AS 1528
0029	ANELLO PORTACUSC.REGGISPINTA	RING BEARING THRUST
0030	PERNO FILETTATO x REGIST. PALE	PIN THREAD FOR REGIS. TOOLHOLDER
0031	VITE TCCE 6x10 5931 Z.B.	SCREW TCCE 6x10 5931 ZINC PLATED
0032	SPINA CILINDRICA 8x40 UNI 1707	UNIVERSAL PIN 8x40 UNI 1707
0035	DADO BLOKM10 -985 - Z.B.	SELF-LOCKING NUT M10 -985 ZINC PLATED
0038	PONTE BASCULANTE	AXLE
0039	PERNO BASCULANTE M18 L=45 CH27Z.B.	PIN M18 L=45 CH27Z.B.
0054	VITE BLOCCAGGIO M18-14 L=60 CH27ZB	LOCK SCREW M18-14 L=60 CH27ZB
0119	CHIAVETTA 8x7x30 - 6604A	KEY 8x7x30 - 6604A
0121	DADO BLOKM14 BASSO 7474 Z.B	SELF-LOCKING NUT M14 7474 ZINC PLATED
0191	RIDUTTORE COMPLETO DX V100	RH GEAR BOX V100
0192	RIDUTTORE COMPLETO SX V100	LH GEAR BOX V100
0302	GRANO M6x16 - 5927	DOWEL M6x16 - 5927
0328	ATTACCO SUPERIORE x CAVO DI REGISTRO	SUP.ATTACHMENT FOR REGISTER CABLE
0489	CUFFIA PROTEZIONE CARDANO	DUST BOOT GIMBAL
0499	SPINA ELASTICA 6x30	UNIVERSAL PIN 6x30
0578	BASCULANTE SX OL120/MK8-90/120	GUIDE UNIT LH FLANGE OL120/MK890/120
0579	ALBERO CARD. OL120/MK8-90-120	DRIVE SHAFT OL120/MK8-90-120
0580	BASCULANTE DX OL120/MK8-90-120	GUIDE UNIT RH FLANGE
0729	DADO M6 5589 BASSO Z.B.	NUT M6 5589
0973	CAVO D.4X49X535 C/TERM.	CABLE D.4X49X535
1078	RONDELLA ZIGRIN.D10 ZINC.B.	WASHER D10 ZINC PLATED
1205	VITE TE 10x20 UNI 5739 Z.B.	SCREW TE 10x20 UNI 5739 ZINC PLATED
1247	VITE TE 14X75 UNI5737 Z.B.	SCREW TE 14X75 UNI5737 ZINC PLATED
1359	COMPLESSIVO SOLLEVAMENTO PALE	BLADE LIFTER UNIT W/CRANK
1810	LEVA ZINC. CON MANIGLIA NERA M8	LEVER WITH BLACK KNOB M8
8030	FASCETTA	HOSE CLAMP

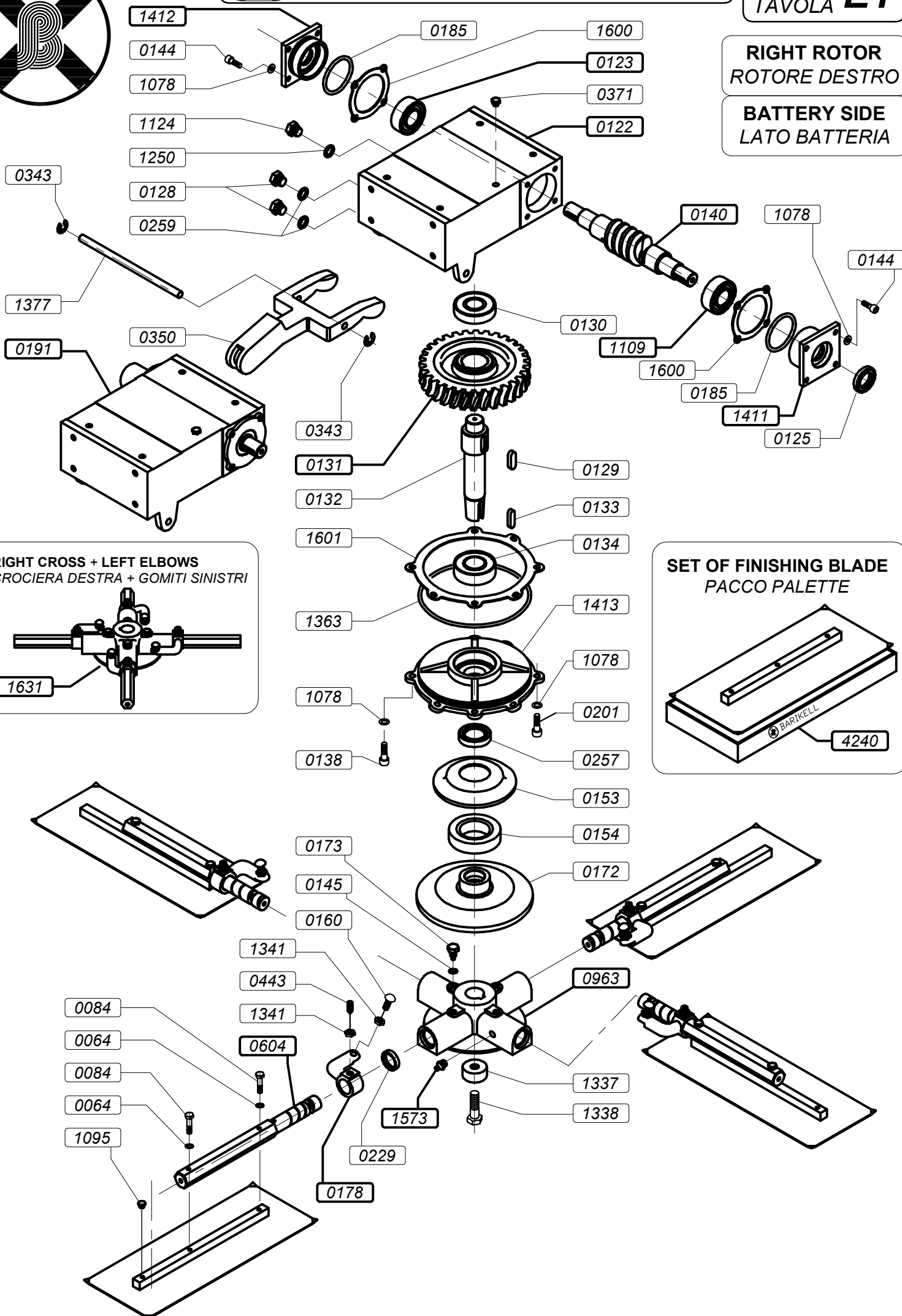


MK8-90 HCS KUBOTA 25HP

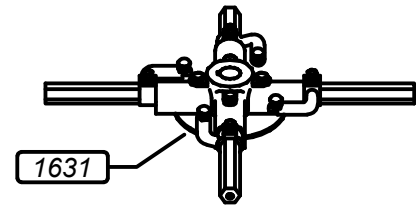
TABLE
TAVOLA **E1**

RIGHT ROTOR
ROTORE DESTRO

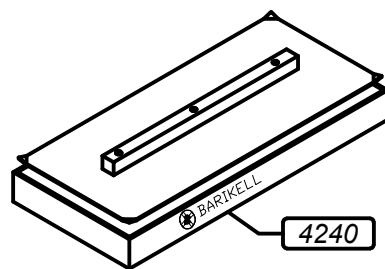
BATTERY SIDE
LATO BATTERIA



RIGHT CROSS + LEFT ELBOWS
CROCIERA DESTRA + GOMITI SINISTRI

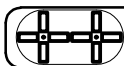


SET OF FINISHING BLADE
PACCO PALETTE



COD.	DESCRIZIONE (I)	DESCRIPTION (GB)
0064	RONDELLA GROWER 10 - Z.B.	WASHER 10 ZINC PLATED
0084	VITE TE 10x45 UNI 5737 Z.B.	SCREW HEX HEAD 10x45 UNI 5737 ZINC PLATED
0122	SCATOLA DX RIDUTTORE V100	RH GEAR BOX V100
0123	CUSCINETTO CONICO 30206 V100 CX	TAPER BEARING 30206 V100 CX
0125	PARAOLIO DOPPIA TENUTA 30X47X7	OILSEAL DOUBLE SEALING 30X47X7
0128	TAPPO SCARICO OLIO 3/8" GAS ZB	PLUG OIL 3/8" GAS ZINC PLATED
0129	CHIAVETTA12x8x35 - 6604A	KEY 12x8x35 - 6604A
0130	CUSCINETTO CONICO 30306 CX	TAPER BEARING 30306 CX
0131	CORONA DENTATA DX V100	RH CROWN GEAR V100
0132	ALBERO LENTO V100	SHAFT V100
0133	CHIAVETTA10x8x35 - 6604A	KEY 10x8x35 - 6604A
0134	CUSCINETTO CONICO 32207 V100 CX	TAPER BEARING 32207 V100 CX
0138	VITE TCCE 10x20 Z.B. UNI 5931	SCREW TCCE 10x20 G.W. UNI 5931
0140	VITE SENZA FINE DX V100	WORM SCREW DX V100
0144	VITE TE 10x25 5739 Z.B.	SCREW HEX HEAD 10x25 5739 ZINC PLATED
0145	RONDELLA PIANA 10x21 6592 Z.B.	WASHER 10x21 6592 ZINC PLATED
0153	COPRICUSCINETTO 4-90/4-120	COVER BEARING 4-90/4-120
0154	CUSCINETTO REGGISPINTA BCA2256	BEARING BCA2256
0160	VITE TTDE10X30 UNI 5731 SENZA	SCREW TTDE10X30 UNI 5731
0172	CAMPANA REGIS.PALE 4-120/OL90	UPPER HEAD TOOL HOLDER 4-120/OL90
0173	VITE BLOC.BRAC.P.PALE 4-90/120	SCREW FIX TOOLHOLDER 4-90/120
0178	GOMITO SX GHISA D.28	LH BEND CART IRON D.28
0185	OR 3262 NBR PER V100	OR 3262 NBR PER V100
0191	RIDUTTORE COMPLETO DX V100	RH GEAR BOX V100
0201	VITE VSP 10x20 5933 Z.B.	SCREW VSP 10x20 5933 ZINC PLATED
0229	O-RING D.28 SEZ.1,5	O-RING D.28 SEZ.1,5
0257	PARAOLIO DOP.TENUTA 35X55X10	OIL SEAL 35X55X10
0259	RONDELLA ALL. 17x23x1.5 X RID.	WASHER ALL. 17x23x1.5
0343	ANELLO RADIALE DIAM.10	SEAL DIAM.10
0350	FORCELLA COMANDO PALE D.11	YOKE CONTROL TOOLHOLDER D.11
0371	TAPPO SFIATO 1/8"+ RONDELLA IN RAME	BREATHER PLUG 1/8"+ COPPER WASHER
0443	GRANO M10x20 UNI 5927	DOWEL M10x20 UNI 5927
0604	BRACCIO P.PALE MK8-90 D.28	BEND FOR TOOL HOLDER MK8-90
0963	CROCERA D.28 OL120/MK8-120/MK8-90	SPIDER D.28 OL120/MK8-120/MK8-90
1078	RONDELLA ZIGRIN.D10 ZINC.B.	WASHER D10 ZINC PLATED
1095	TAPPO POLIETILENE NEUTRO D.9mm	PLUG POLYETHYLENE D.9mm
1109	CUSCI.CONICO 30206 "NSK" V100	COVER BEARING 30206 "NSK" V100
1124	INDICAT.LIV.OLIO 3/4" VETRO	LEVEL INDICATOR OIL 3/4" GLASS
1250	RONDELLA ALL.27X33X1,5 3/4"	WASHER ALL.27X33X1,5 3/4"
1337	RONDELLA BLOCC. CROCERA X DOPP	WASHER FOR LOCK SPIDER
1338	VITE TE 12x1.5x35 UNI5740 10.9 z.b.	SCREW HEX HEAD 12x1.5x35 UNI5740 ZINC PLATED
1341	DADO M10 5589 BASSO GREZZO	NUT M10 5589
1363	OR 4725 183,75X3,53 SH70 NBR	OR 4725 183,75X3,53 SH70 NBR
1377	PERNO FORCEL.D.11 L=219 V100	PIN FOR YOKE D.11 L=219 V100
1411	COPERCHIO LATERALE APERTO V100	LATERAL OPENED COVER V100
1412	COPERCHIO LAT.CHIUSO V100	LATERAL CLOSED COVER V100

COD.	DESCRIZIONE (I)	DESCRIPTION (GB)
1413	COPERCHIO INF. V100	INFERIOR COVER V100
1573	INGRASSATORE M8X1.25 2802	GREASE FITTING M8X1.25 2802
1600	GUARNIZIONE LATERALE V100	LATERAL SEAL V100
1601	GUARNIZIONE INFERIORE V100	INFERIOR SEAL V100
1631	CROCIERA COMPL.DX MK8-90 C/INGR	SPIDER RIGHT MK8-90
4240	PACCO PALETTE MK8-90	TOOL HOLDER PACKAGE MK8-90

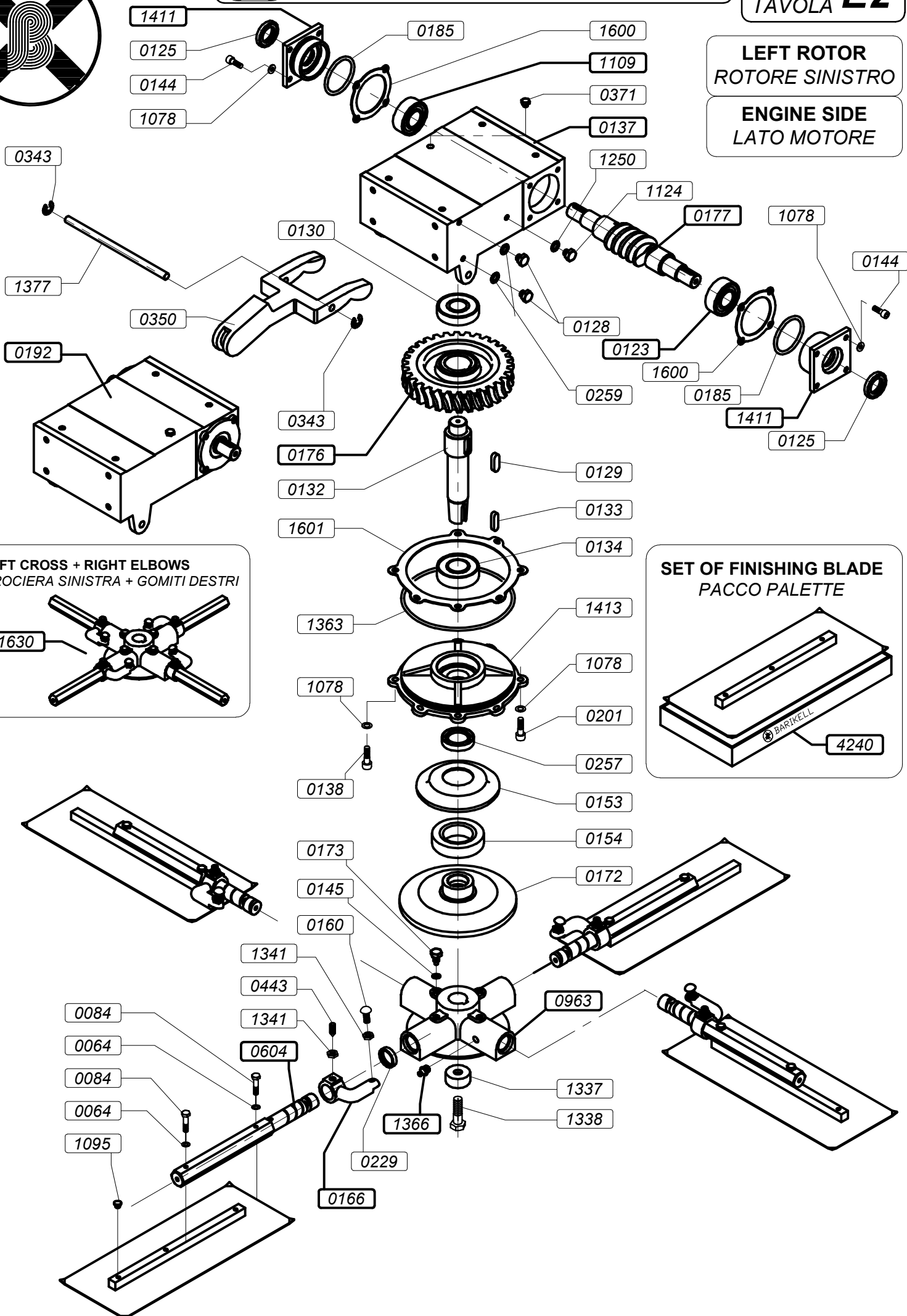


MK8-90 HCS KUBOTA 25HP

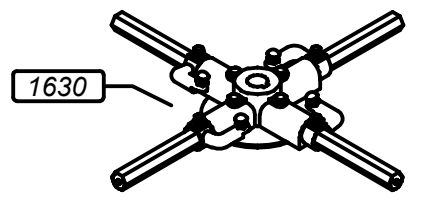
TABLE
TAVOLA **E2**

LEFT ROTOR
ROTORE SINISTRO

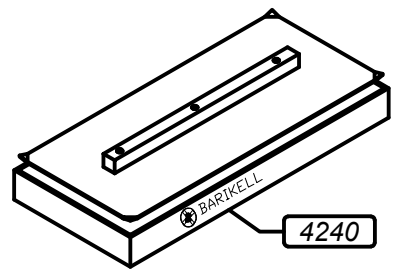
ENGINE SIDE
LATO MOTORE



LEFT CROSS + RIGHT ELBOWS
CROCIERA SINISTRA + GOMITI DESTRI



SET OF FINISHING BLADE
PACCO PALETTE

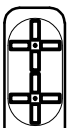


COD.	DESCRIZIONE (I)	DESCRIPTION (GB)
0064	RONDELLA GROWER 10 - Z.B.	WASHER 10 ZINC PLATED
0084	VITE TE 10x45 UNI 5737 Z.B.	SCREW HEX HEAD 10x45 UNI 5737 ZINC PLATED
0123	CUSCINETTO CONICO 30206 V100 CX	TAPER BEARING 30206 V100 CX
0125	PARAOLIO DOPPIA TENUTA 30X47X7	OILSEAL DOUBLE SEALING 30X47X7
0128	TAPPO SCARICO OLIO 3/8" GAS ZB	PLUG OIL 3/8" GAS ZINC PLATED
0129	CHIAVETTA12x8x35 - 6604A	KEY 12x8x35 - 6604A
0130	CUSCINETTO CONICO 30306 CX	TAPER BEARING 30306 CX
0132	ALBERO LENTO V100	SHAFT V100
0133	CHIAVETTA10x8x35 - 6604A	KEY 10x8x35 - 6604A
0134	CUSCINETTO CONICO 32207 V100 CX	TAPER BEARING 32207 V100 CX
0137	SCATOLA SX RIDUTTORE V100	LH GEAR BOXES V100
0138	VITE TCCE 10x20 Z.B. UNI 5931	SCREW TCCE 10x20 ZINC PLATED UNI 5931
0144	VITE TE 10x25 5739 Z.B.	SCREW HEX HEAD 10x25 5739 ZINC PLATED
0145	RONDELLA PIANA 10x21 6592 Z.B.	WASHER 10x21 6592 ZINC PLATED
0153	COPRICUSCINETTO 4-90/4-120	COVER BEARING 4-90/4-120
0154	CUSCINETTO REGGISPINTA BCA2256	BEARING BCA2256
0160	VITE TTDE10X30 UNI 5731 SENZA	SCREW TTDE10X30 UNI 5731
0166	GOMITO DX GHISA D28	RH BEND CAST IRON D28
0172	CAMPANA REGIS.PALE 4-120/OL90	UPPER HEAD TOOL HOLDER 4-120/OL90
0173	VITE BLOC.BRAC.P.PALE 4-90/120	SCREW FIX TOOLHOLDER 4-90/120
0176	CORONA DENTATA SX V100	LH CROWN GEAR V100
0177	VITE SENZA FINE SX V100	LH WORM SCREW V100
0185	OR 3262 NBR PER V100	OR 3262 NBR PER V100
0192	RIDUTTORE COMPLETO SX V100	LH GEAR BOX V100
0201	VITE VSP 10x20 5933 Z.B.	SCREW VSP 10x20 5933 ZINC PLATED
0229	OR D.28 SEZ.1,5 PER CROC.	O-RING D.28 SEZ.1,5
0257	PARAOLIO DOP.TENUTA 35X55X10	OIL SEAL 35X55X10
0259	RONDELLA ALL. 17x23x1.5 X RID.	WASHER ALL. 17x23x1.5
0343	ANELLO RADIALE DIAM.10	SEAL DIAM.10
0350	FORCELLA COMANDO PALE D.11	YOKE CONTROL TOOLHOLDER D.11
0371	TAPPO SFIATO 1/8"+ RONDELLA IN RAME	BREATHER PLUG 1/8"+ COPPER WASHER
0443	GRANO M10x20 UNI 5927	DOWEL M10x20 UNI 5927
0604	BRACCIO P.PALE MK8-90 D.28	BEND FOR TOOL HOLDER MK8-90
0963	CROCERA D.28 OL120/MK8-120/MK8-90	SPIDER D.28 OL120/MK8-120/MK8-90
1078	RONDELLA ZIGRIN.D10 ZINC.B.	WASHER D10 ZINC PLATED
1095	TAPPO POLIETILENE NEUTRO D.9mm	PLUG POLYETHYLENE D.9mm
1109	CUSCI.CONICO 30206 "NSK" V100	COVER BEARING 30206 "NSK" V100
1124	INDICAT.LIV.OLIO 3/4" VETRO	LEVEL INDICATOR OIL 3/4" GLASS
1250	RONDELLA ALL.27X33X1,5 3/4"	WASHER ALL.27X33X1,5 3/4"
1337	RONDELLA BLOCC. CROCERA X DOPP	WASHER FOR LOCK SPIDER
1338	VITE TE 12x1.5x35 UNI5740 10.9 z.b.	SCREW HEX HEAD 12x1.5x35 UNI5740 ZINC PLATED
1341	DADO M10 5589 BASSO GREZZO	NUT M10 5589
1363	OR 4725 183,75X3,53 SH70 NBR	OR 4725 183,75X3,53 SH70 NBR
1366	INGRASSATORE M8X1,25	GREASE FITTING M8X1,25
1377	PERNO FORCEL.D.11 L=219 V100	PIN FOR YOKE D.11 L=219 V100
1411	COPERCHIO LATERALE APERTO V100	LATERAL OPENED COVER V100

COD.	DESCRIZIONE (I)	DESCRIPTION (GB)
1413	COPERCHIO INF. V100	INFERIOR COVER V100
1600	GUARNIZIONE LATERALE V100	LATERAL SEAL V100
1601	GUARNIZIONE INFERIORE V100	INFERIOR SEAL V100
1630	CROCIERA COMPL.SX MK8-90 C/INGR	SPIDER LEFT MK8-90
4240	PACCO PALETTE MK8-90	TOOL HOLDER PACKAGE MK8-90

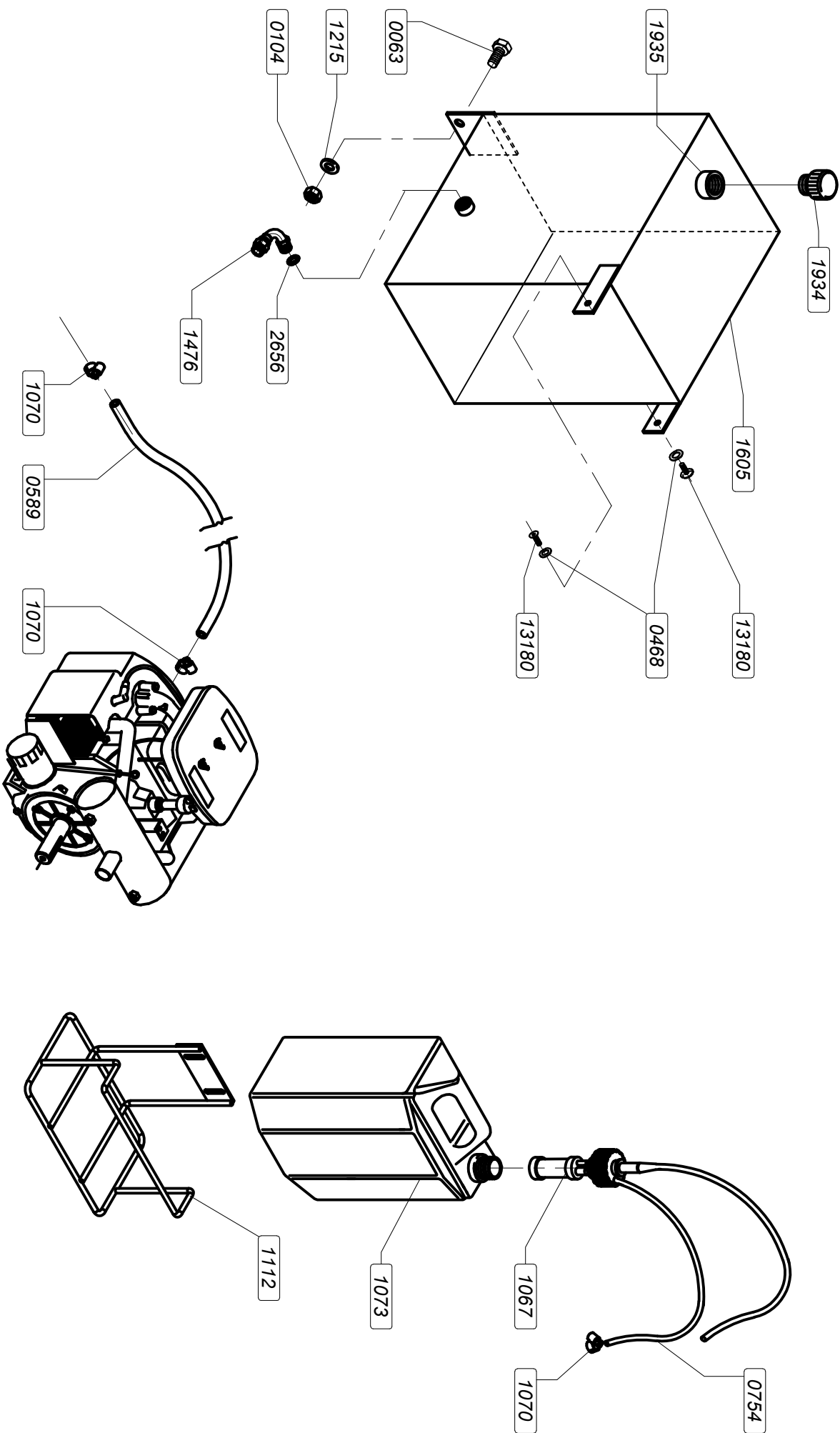


**WATER AND FUEL SYSTEM
IMPIANTO ACQUA E BENZINA**

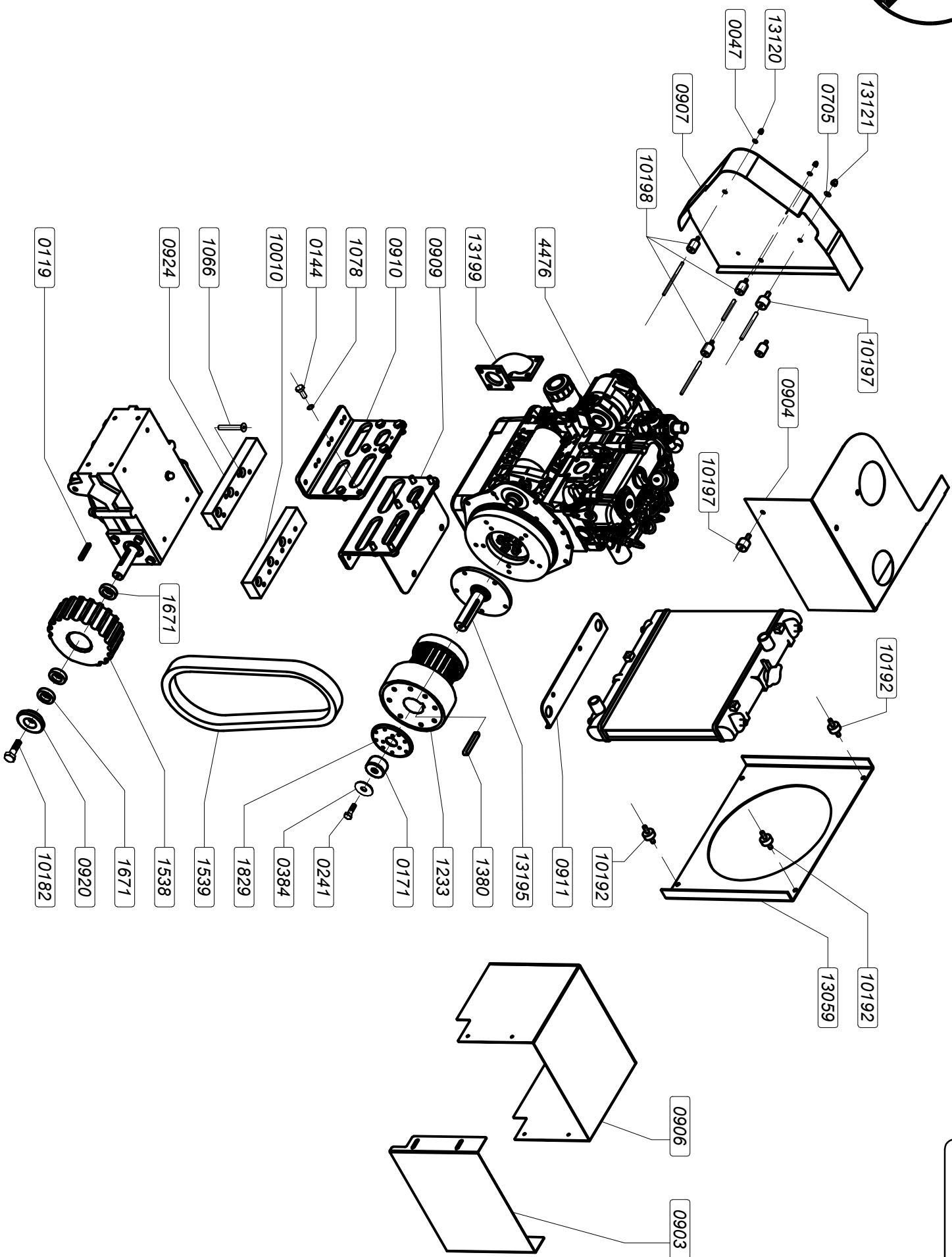
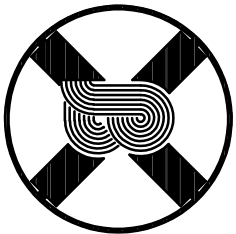


MK8-90 HCS KUBOTA 25HP

**TABLE
TAVOLA
F**



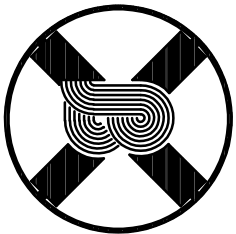
COD.	DESCRIZIONE (I)	DESCRIPTION (GB)
0063	VITE TE 10x50 -5737 - Z.B.	SCREW TE 10x50 -5737 ZINC PLATED
0104	DADO BLOKM6 -DIN 985 Z.B.	SELF-LOCKING NUT M6 -DIN 985 GALVANIZED W.
0468	RONDELLA 6x18X1,5 Z.B.	PLAIN WASHER 6x18X1,5
0589	TUBO CARBOPRESS NV 8X14 ECO	PIPE CARBOPRESS NV 8X14 ECO
0754	TUBO ARMORVIN HNA 10 RIF. RPQ0191	PIPE ARMORVIN HNA 10 RIF. RPQ0191
1067	POMPA ACQUA 12.V+CONNETTORE	WATER PUMP 12.V+CONNECTOR
1070	FASCETTA VELOX 5 TUBO 8-19	HOSE CLAMP VELOX 5 TUBO 8-19
1073	TANICA ACQUA LT.15 CCC0206	WATER TANK LT.15 CCC0206
1112	PORTA TANICA MK8-90 HCS/OL-120 HCS	SUPPORT FUEL TANK MK8-90 HCS/OL-120 HCS
1215	RONDELLA PIANA 10x30 Z.B.	WASHER 10x30 ZINC PLATED
13180	VITE TCCE 6x16 UNI 7984 Z.B.TESTA RIBAS	SCREW 6x16 UNI 7984
1476	RACCORDO PER SERBATOIO	FITTING FOR TANK
1605	SERBATOIO BENZINA HCS	FUEL TANK HCS
1934	TAPPO 2 LOBI BAIONETTA D.60	BAYONET PLUG D.60
1935	GHIERA A BAIONETTA T.60 DN.60	BAYONET RING NUT.60 DN.60
2656	RONDELLA FERRO-GOMMA D12	WASHER IRON-RUBBER D12



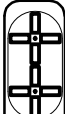
⊕ ⊕ MK8-90 HCS KUBOTA 25HP

TABLE
TAVOLA
G1

COD.	DESCRIZIONE (I)	DESCRIPTION (GB)
0047	RONDELLA PIANA 6 - Z.B. 6592	PLAIN WASHER 6-
0119	CHIAVETTA 8x7x30 - 6604A	KEY 8x7x30 - 6604A
0144	VITE TE 10x25 5739 Z.B.	HEXAGONAL SCREW 10X25 5739
0171	ROND. BLOCC. CROC. 4-90/120,MK8-75,OL90	WASHER 4-90/120,MK8-75,OL90
0241	VITE TE UNF 3/8x2"1/2	HEX HEAD BOLT UNF 3/8x2"1/2
0384	RONDELLA PIANA D.12 6592 ZB	WASHER D.12 6592 Z.P.
0705	RONDELLA PIANA D. 8 Z.B.	PLAIN WASHER D8
0904	CARTER SUPERIORE C/LOGO PER KUBOTA 25HP	HIGHER PROTECTION GUARD
0903	COPERCHIO SCATOLA KUBOTA 25HP	COVER
0906	SCATOLA DI PROTEZIONE	PROTECTION BOX
0907	CARTER CINGHIA PER MOTORE KUBOTA 25HP	BELT GUARD
0909	SUPPORTO DX PER MOTORE KUBOTA 25HP Z.B.	RIGHT ENGINE SUPPORT FOR KUBOTA 25HP ZINC PLATED
0910	SUPPORTO SX PER MOTORE KUBOTA 25HP Z.B.	LEFT ENGINE SUPPORT FOR KUBOTA 25HP ZINC PLATED
0911	STAFFA SUPPORTO RADIATORE KUBOTA 25 HP Z.B.	RADIATOR BRACKET KUBOTA 25HP
0920	RONDELLA FISSAGGIO	FIXING WASHER
0924	STAFFA ANTER.SUPP.MOTORE KUBOTA 25-30HP	FRONT BRACKET ENGINE
10010	STAFFA POST. SUPP.MOTORE KUBOTA 25-30HP	REAR BRACKET ENGINE
10182	VITE TE 8x30 10.9 5739 ZINC.B.	SOCKET HEAD CAP SCREW 8x30 10.9 5739 Z.P.
10192	ANTIVIBRANTE D.20-H10 M-M M6	ANTI-VIBRATION D20-H10 M-M M6
10197	ANTIVIBRANTE D.25-H20 M-F M8	ANTI-VIBRATION D.25-H20 M-F M8
10198	ANTIVIBRANTE D.20-H25 M-F M6	ANTI-VIBRATION D.20-H25 M-F M6
1066	VITE VSP 10x70 - 5933 ZINC.B.	SOCKET HEAD CAP SCREW 10x70 - 5933 ZINC PLATED
1078	RONDELLA ZIGRIN.D10 ZINC.B.	PLAIN WASHER D.10
1233	FRIZIONE DENTATA D.36.5	TOOTHED CLUTCH D.36.5
13059	LAMIERA SUPP.VENTOLA KUBOTA 25hp	FAN BRACKET KUBOTA 25HP
13120	DADO CIECO M6 UNI 5721 DIN 1587 Z.B.	NUT M6 UNI 5732 DIN 1587
13121	DADO CIECO M8 UNI 5721 DIN 1587 Z.B.	NUT M8 UNI 5721 DIN 1587
13195	FLANGIA PULEGGIA PER KUBOTA 25HP Ø 28	PULLEY FLANGE KUBOTA 25 HP
13199	COLLETTORE KUBOTA 25 HP Z.BIANCO	MANIFOLD KUBOTA 25 HP Z.P.
1380	CHIAVETTA 9,3x9,3x90	KEY 9,3x9,3x90
1538	PULEGGIA Z 56X50 M8 D.25 H7 CH8	PULLEY Z 56X50 M8 D.25 H7 CH8
1539	CINGHIA DENTATA HTD 8M 50X880 HCS	TOOTHED BELT HTD 8M 50X880 HCS
1671	BOCCOLA 40X10 FORO D.26	BUSH 35X10 FORO D.25.5
1829	COPERCHIO FRIZIO.BARIKELL 115 E DENTATA	CLUTCH COVER BARIKELL 115
4476	MOTORE KUBOTA D902 E2B 25HP	ENGINE KUBOTA D902 E2B 25HP

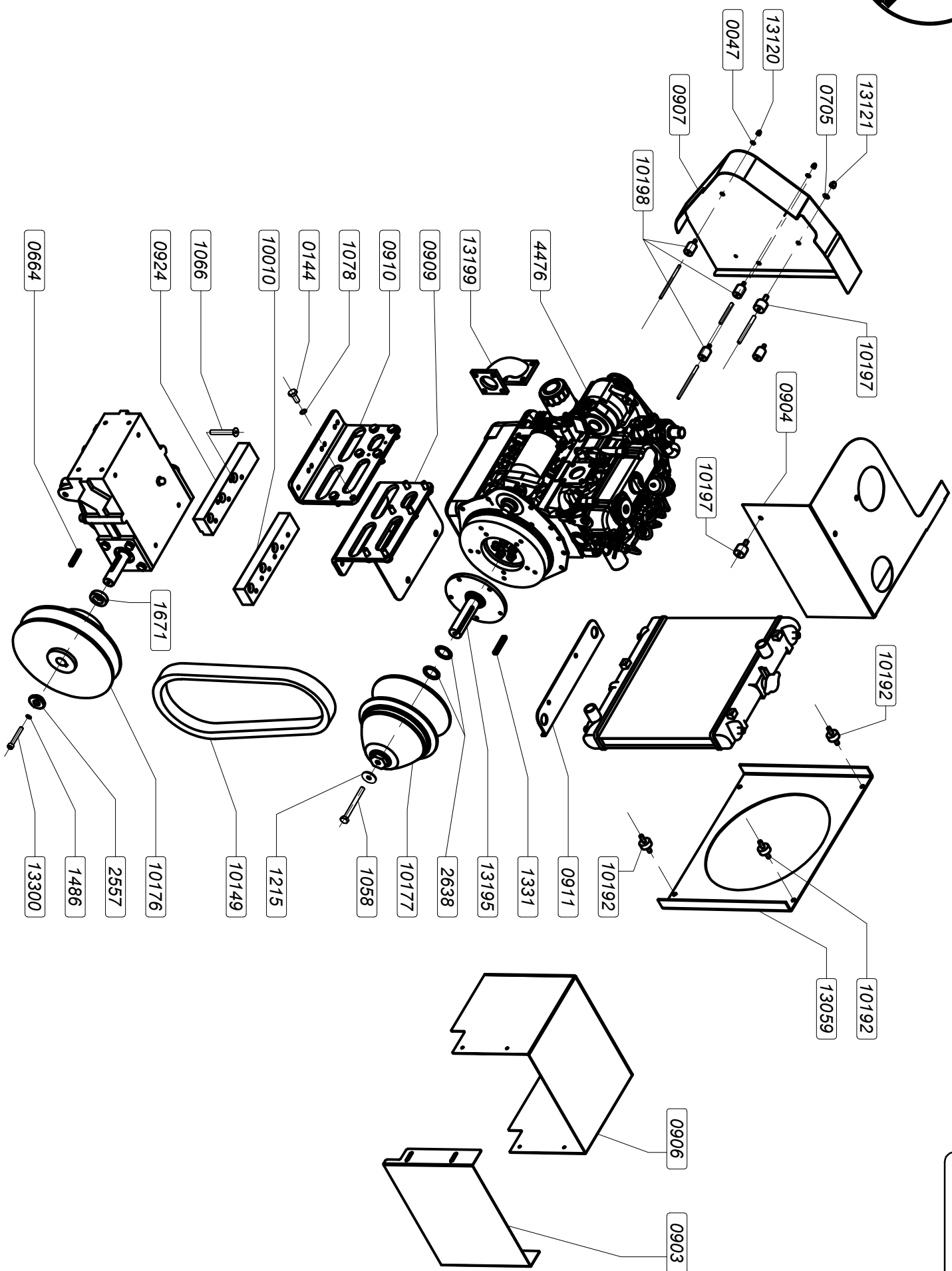


TORQUE CONVERTER

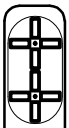
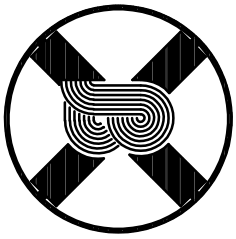


MK8-90 HCS KUBOTA 25HP

TABLE TAVOLA G2

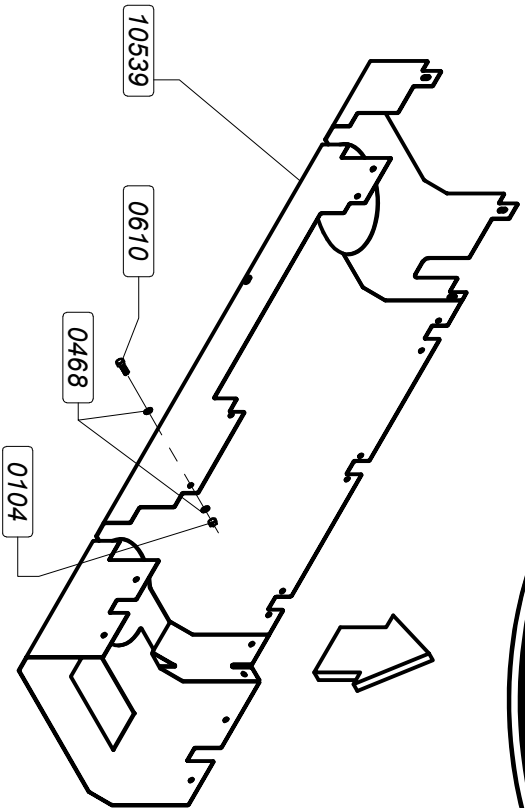
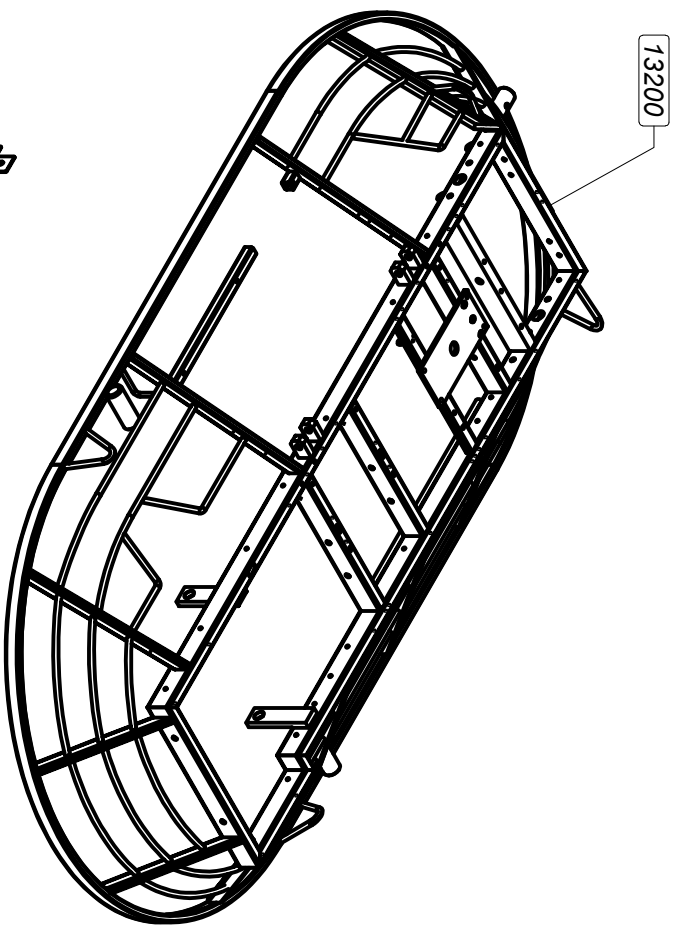


COD.	DESCRIZIONE (I)	DESCRIPTION (GB)
0047	RONDELLA PIANA 6 - Z.B. 6592	PLAIN WASHER 6-
0144	VITE TE 10x25 5739 Z.B.	HEXAGONAL SCREW 10X25 5739
0664	CHIAVETTA 8x7x50 - 6604A	KEY 8x7x50 - 6604A
0705	RONDELLA PIANA D. 8 Z.B.	PLAIN WASHER D8
0903	COPERCHIO SCATOLA KUBOTA 25HP	COVER
0904	CARTER SUPERIORE C/LOGO PER KUBOTA 25HP	HIGHER PROTECTION GUARD
0906	SCATOLA DI PROTEZIONE	PROTECTION BOX
0907	CARTER CINGHIA PER MOTORE KUBOTA 25HP	BELT GUARD
0909	SUPPORTO DX PER MOTORE KUBOTA 25HP Z.B.	RIGHT ENGINE SUPPORT FOR KUBOTA 25HP ZINC PLATED
0910	SUPPORTO SX PER MOTORE KUBOTA 25HP Z.B.	LEFT ENGINE SUPPORT FOR KUBOTA 25HP ZINC PLATED
0911	STAFFA SUPPORTO RADIATORE KUBOTA 25 HP Z.B.	RADIATOR BRACKET KUBOTA 25HP
0924	STAFFA ANTER.SUPP.MOTORE KUBOTA 25-30HP	FRONT BRACKET ENGINE
10010	STAFFA POST. SUPP.MOTORE KUBOTA 25-30HP	REAR BRACKET ENGINE
10149	CINGHIA PER TORQUE CONVERTER	TORQUE CONVERTER BELT
10176	PULEGGIA CONDOTTA TORQUE CONVERTER	TORQUE CONVERTER DRIVEN PULLEY
10177	PULEGGIA MOTRICE TORQUE CONVERTER	TORQUE CONVERTER DRIVER PULLEY
10192	ANTIVIBRANTE D.20-H10 M-M M6	ANTI-VIBRATION D20-H10 M-M M6
10197	ANTIVIBRANTE D.25-H20 M-F M8	ANTI-VIBRATION D.25-H20 M-F M8
10198	ANTIVIBRANTE D.20-H25 M-F M6	ANTI-VIBRATION D.20-H25 M-F M6
1058	VITE TE 10x100 5739 ZB T.FIL	SCREW TE 10x100 5739
1066	VITE VSP 10x70 - 5933 ZINC.B.	SOCKET HEAD CAP SCREW 10x70 - 5933 ZINC PLATED
1078	RONDELLA ZIGRIN.D10 ZINC.B.	PLAIN WASHER D.10
1215	RONDELLA PIANA 10x30 Z.B.	WASH PLAIN 10x30 Z.B.
13059	LAMIERA SUPP.VENTOLA KUBOTA 25hp	FAN BRACKET KUBOTA 25HP
13120	DADO CIECO M6 UNI 5721 DIN 1587 Z.B.	NUT M6 UNI 5732 DIN 1587
13121	DADO CIECO M8 UNI 5721 DIN 1587 Z.B.	NUT M8 UNI 5721 DIN 1587
13195	FLANGIA PULEGGIA PER KUBOTA 25HP Ø 28	PULLEY FLANGE KUBOTA 25 HP
13199	COLLETTORE KUBOTA 25 HP Z.BIANCO	MANIFOLD KUBOTA 25 HP Z.P.
13300	VITE TCCE 8x55 12.9 UNI5931 DIN 912 Z.B.	SCREW TCCE 8x55 12,9 UNI5931
1331	CHIAVETTA 38,1x6,3x6,3	KEY 38,1x6,3x6,3
1486	RONDELLA ZIGRINATA D.8 Z.B.	WASH PLAIN D.8
1671	BOCCOLA 40X10 FORO D.26	BUSH 35X10 FORO D.25.5
2557	RONDELLA FISSAGGIO PULEGGIA	FIXING WASHER
2638	BOCCOLA 29-39 SP.2 GREZZO	BUSH 29-39-2
4476	MOTORE KUBOTA D902 E2B 25HP	ENGINE KUBOTA D902 E2B 25HP

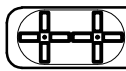


MK8-90 HCS KUBOTA 25HP

**TABLE
TAVOLA
H**

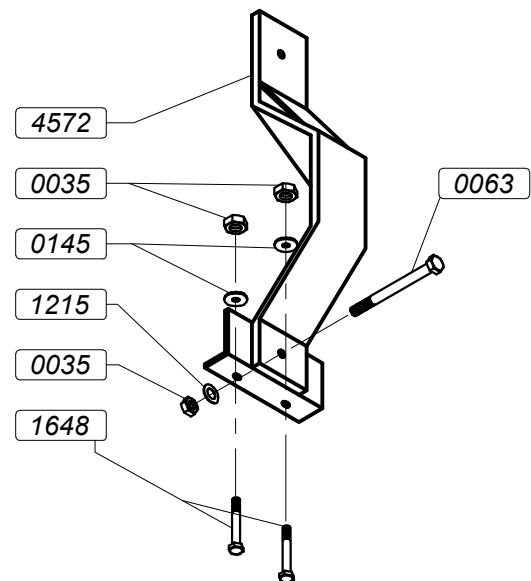
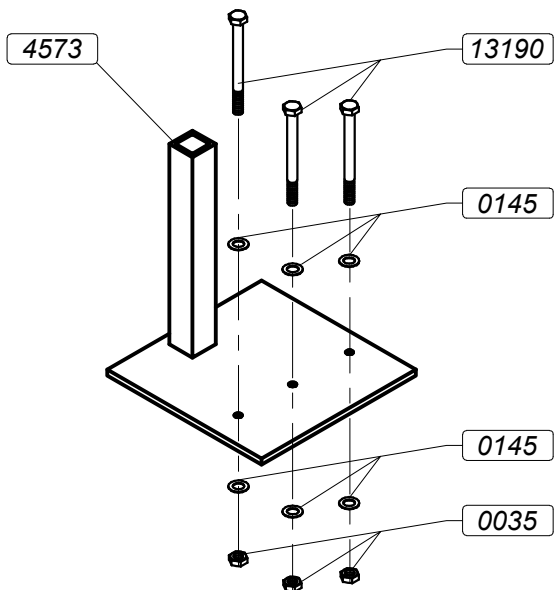
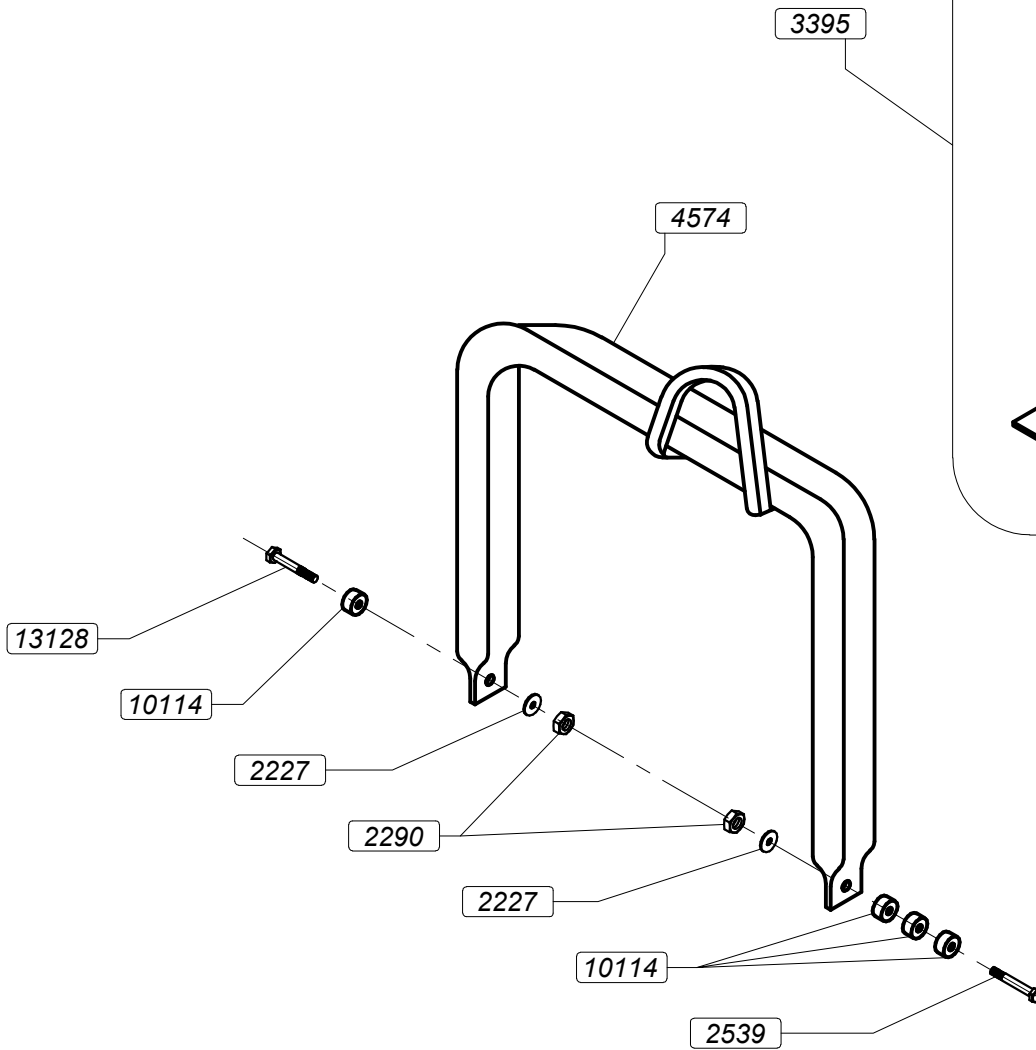
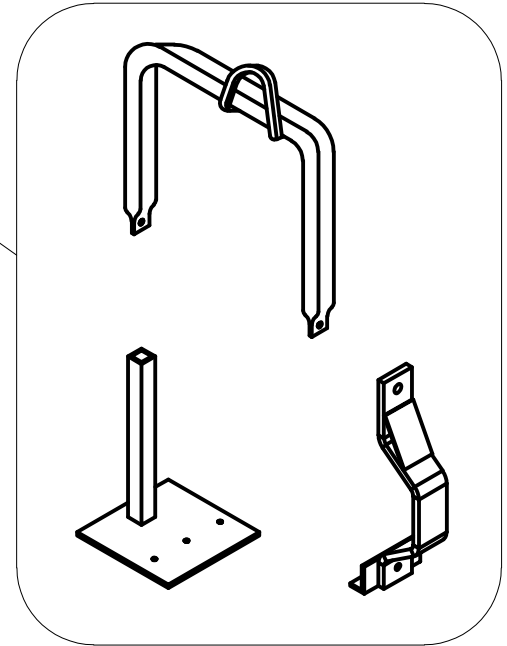


COD.	DESCRIZIONE (I)	DESCRIPTION (GB)
0104	DADO BLOKM6 -DIN 985 Z.B.	BLOK NUT M6 985
0468	RONDELLA 6x18X1,5 Z.B.	PLAIN WASHER 6x18X1,5
0610	VITE TE 6x40 UNI 5737 Z.B.	SCREW TE 6x40 UNI 5737
10539	TUNNEL PROTEZIONE MK8-90 TORQUE CONVERTER	PROTECTION TUNNEL MK8-90 TORQUE CONVERTER
13200	TELAIO PROT.MK8-90 TORQUE CONVERTER	PROTECTION FRAME MK8-90 TORQUE CONVERTER

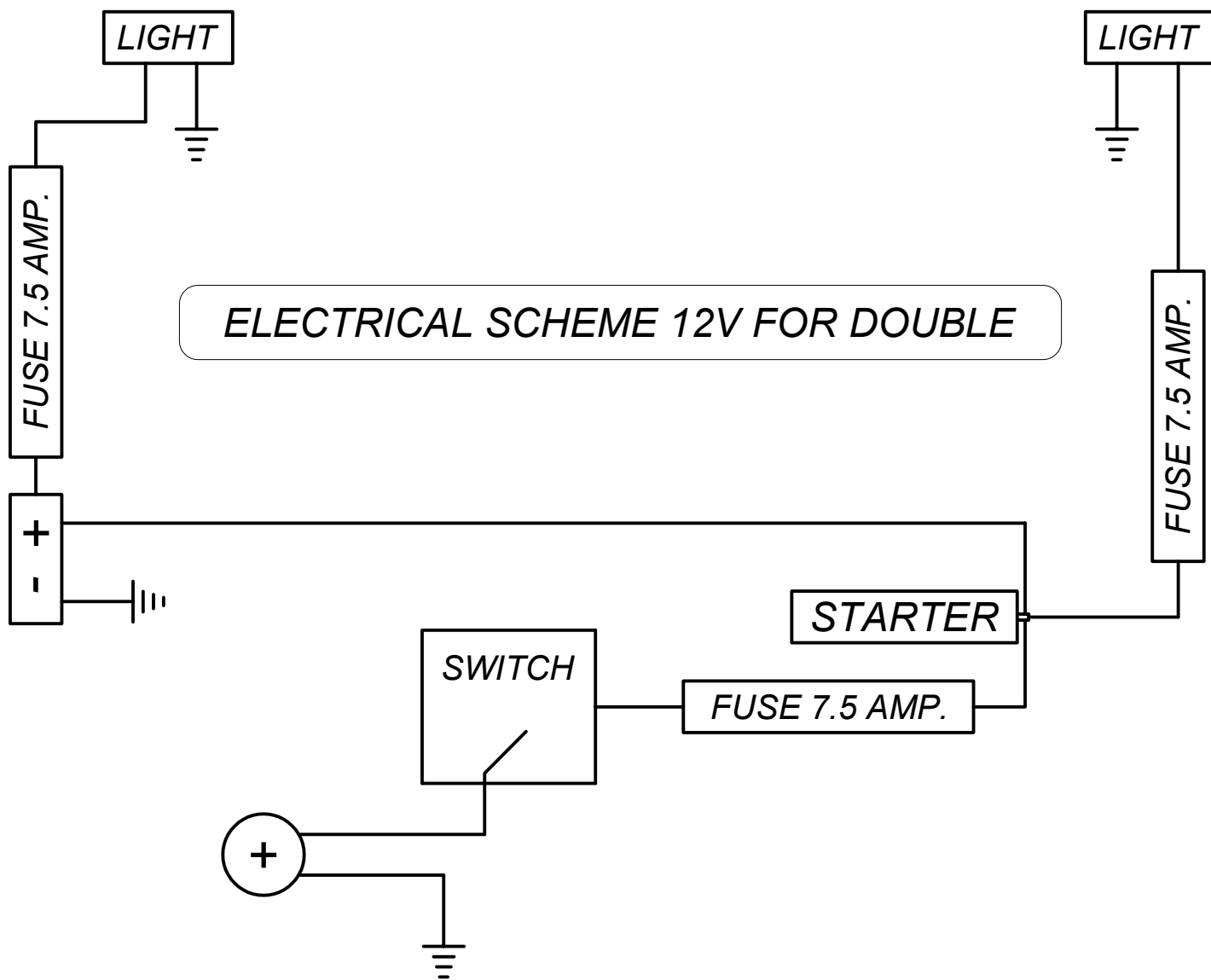
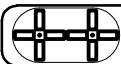


MK8-90 HCS KUBOTA 25HP

TABLE
TAVOLA I



COD.	DESCRIZIONE (I)	DESCRIPTION (GB)
0035	DADO BLOKM10 -985 - Z.B.	SELF-LOCKING NUT M10 -985 ZINC PLATED
0063	VITE TE 10x50 -5737 - Z.B.	SCREW 10x50 - 5737
0145	RONDELLA PIANA 10x21 6592 Z.B.	WASHER 10x21 6592 ZINC PLATED
10114	DISTANZIALE D.41-16,5H12 Z.B.	SPACER D.41-16,5H12
1215	RONDELLA PIANA 10x30 Z.B.	WASHER 10x30 ZINC PLATED
13128	VITE TE 16X75 5737 ZINCATA	SCREW TE 16X75 5737
13190	VITE TE 10X85 Z.B.5737	SCREW TE 10X85 5737
1648	VITE TE 10X75 5739 Z.B. TUT.FI	SCREW TE 10X75 5739 Z.B. TUT.FI
2227	RONDELLA 16x30 Z.B.	WASHER 16x30 ZINC PLATED
2290	DADO BLOK M16 DIN 985 Z.B.	SELF-LOCKING NUT M16 DIN 985 ZINC PLATED
2539	VITE TE 16X90 5737 ZINCATA	GALVANIZED SCREW TE 19X90 5737
3395	GANCIO SOLLEV.COMPLETO MK8-120 HCS	COMPLETE LIFTING HOOKHCS
4572	GANCIO SOLLEV. HCS (ATTAC.SX)	LIFTING HOOK HCS LEFT BRACKET
4573	GANCIO SOLLEV. HCS (ATTAC.DX)	LIFTING HOOK HCS RIGHT BRACKET
4574	GANCIO SOLLEV. HCS (SUPERIORE)	LIFTING HOOK HCS



SWITCH SEAT

EMERGENCY

